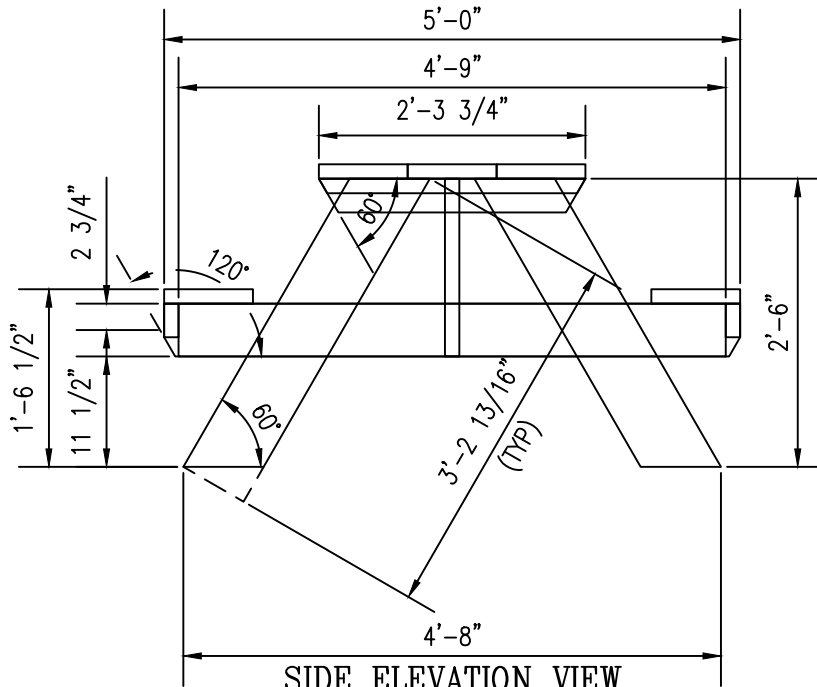


FRONT ELEVATION VIEW
SCALE 1:20



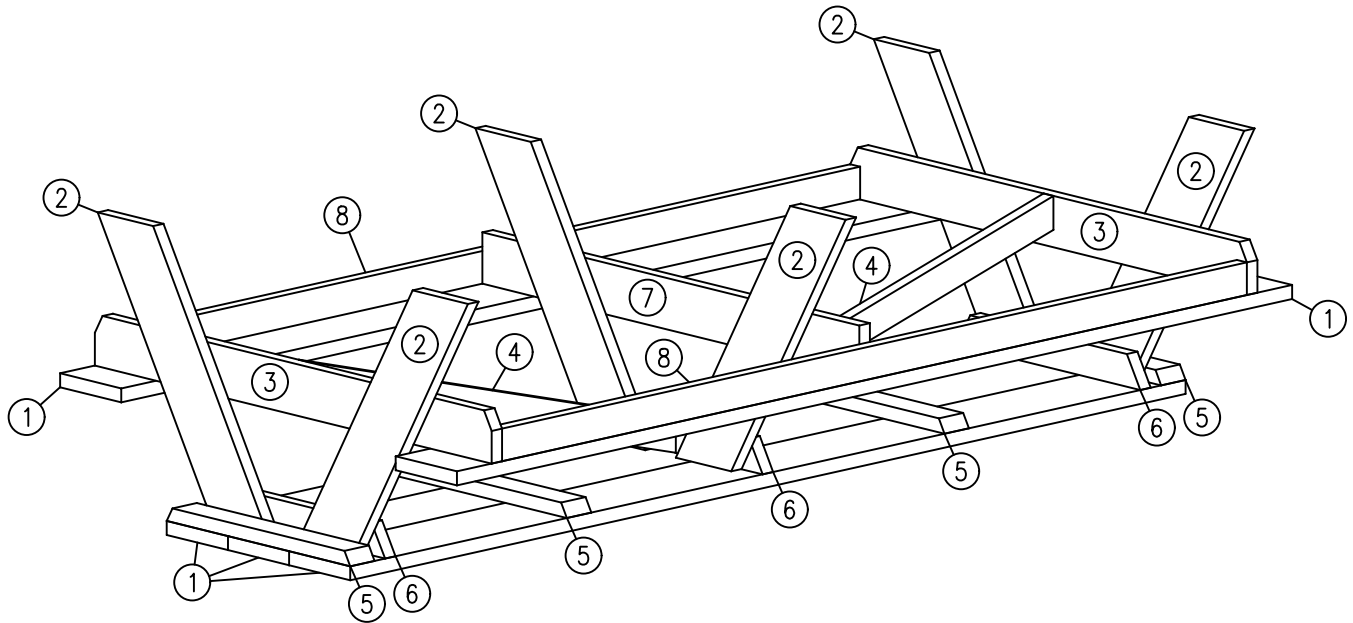
SIDE ELEVATION VIEW
SCALE 1:20

SIZE 8.5 x 11	DATE 2016.06.29	DRAWN TMS	CLIENT jayscustomcreations.com
JOB No. PT-10	SCALE 1:20	PROJ. ENG'R N/A	DRAWING No. EL-PT-10
DRAWING REVISION HISTORY		REV	APP'D
0	ISSUED FOR CONSTRUCTION	16.06.29	TMS

TMS DRAFT LTD.
STRIVING TO ACHIEVE PERFECTION
CALGARY tstorzuk@gmail.com (403)719-1856 ALBERTA

JAY'S CUSTOM CREATIONS
10' PICNIC TABLE
ELEVATIONS

THIS DRAWING IS THE PROPERTY OF TMS DRAFT LTD. IN CONSIDERATION OF THE USE OF THIS DRAWING, USER AGREES THAT IT SHALL BE TREATED AS CONFIDENTIAL MATERIAL, IT SHALL BE RETURNED UPON REQUEST, AND THAT THE CONTENTS THEREOF SHALL NOT BE DISCLOSED, REPRODUCED, COPIED OR OTHERWISE DISPOSED OF DIRECTLY OR INDIRECTLY, NOR SHALL IT BE USED FOR ANY PURPOSE OTHER THAN THAT FOR WHICH IT IS SPECIFICALLY FURNISHED, EXCEPT BY WRITTEN PERMISSION OF TMS DRAFT LTD.



SW BOTTOM 3D VIEW
SCALE 1:20

NOTES:

1. GLUE AND SCREW ALL CONNECTIONS FROM BOTTOM SIDE UP
2. USE POKETHOLE CONNECTIONS AS MUCH AS POSSIBLE
3. LAG BOLT FEET TO BRACES (ITEM #2 TO ITEMS #3, #6 AND #7)
4. FOR USE IN OUTDOOR APPLICATIONS, SUBSTITUTE ALL SPF FOR PRESSURE TREATED LUMBER
5. ITEMS #5 AND #6 ARE THE SAME LENGTH, BUT THE ANGLES CUT ARE ON DIFFERENT EDGES

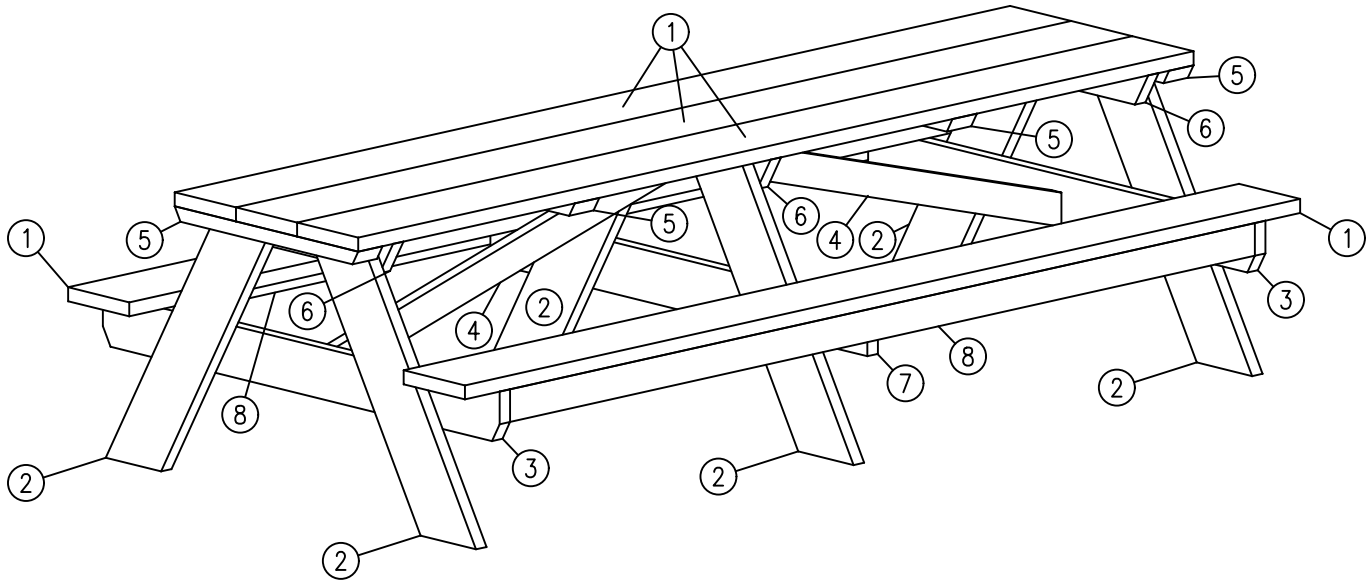
SIZE 8.5 x 11	DATE 2016.06.29	DRAWN TMS	CLIENT jayscustomcreations.com
JOB No. PT-10	SCALE 1:20	PROJ. ENG'R N/A	DRAWING No. B3D-PT-10
			REV 0
BILL OF MATERIALS			
ITEM	QTY	DESCRIPTION	MATERIAL
1	5	2x10 @ 10'-0" LONG	SPF #1
2	6	2x8 @ 3'-2 13/16" LONG	PRESSURE TREATED
3	2	2x6 @ 5'-0" LONG	SPF #2
4	2	2x4 @ 4'-7 13/16" LONG	SPF #2
5	4	2x4 @ 2'-3 3/4" LONG	SPF #2
6	3	2x4 @ 2'-3 3/4" LONG	SPF #2
7	1	2x6 @ 4'-9" LONG	SPF #2
8	2	2x4 @ 8'-11" LONG	SPF #2

TMS DRAFT LTD.
STRIVING TO ACHIEVE PERFECTION

CALGARY tstorzuk@gmail.com (403)719-1856 ALBERTA

JAY'S CUSTOM CREATIONS
 10' PICNIC TABLE
 SW BOTTOM 3D VIEW

THIS DRAWING IS THE PROPERTY OF TMS DRAFT LTD. IN CONSIDERATION OF THE USE OF THIS DRAWING, USER AGREES THAT IT SHALL BE TREATED AS CONFIDENTIAL MATERIAL, IT SHALL BE RETURNED UPON REQUEST, AND THAT THE CONTENTS THEREOF SHALL NOT BE DISCLOSED, REPRODUCED, COPIED OR OTHERWISE DISPOSED OF DIRECTLY OR INDIRECTLY, NOR SHALL IT BE USED FOR ANY PURPOSE OTHER THAN THAT FOR WHICH IT IS SPECIFICALLY FURNISHED, EXCEPT BY WRITTEN PERMISSION OF TMS DRAFT LTD.



SW TOP 3D VIEW
SCALE 1:20

NOTES:

1. GLUE AND SCREW ALL CONNECTIONS FROM BOTTOM SIDE UP
2. USE POKETHOLE CONNECTIONS AS MUCH AS POSSIBLE
3. LAG BOLT FEET TO BRACES (ITEM #2 TO ITEMS #3, #6 AND #7)
4. FOR USE IN OUTDOOR APPLICATIONS, SUBSTITUTE ALL SPF FOR PRESSURE TREATED LUMBER
5. ITEMS #5 AND #6 ARE THE SAME LENGTH, BUT THE ANGLES CUT ARE ON DIFFERENT EDGES

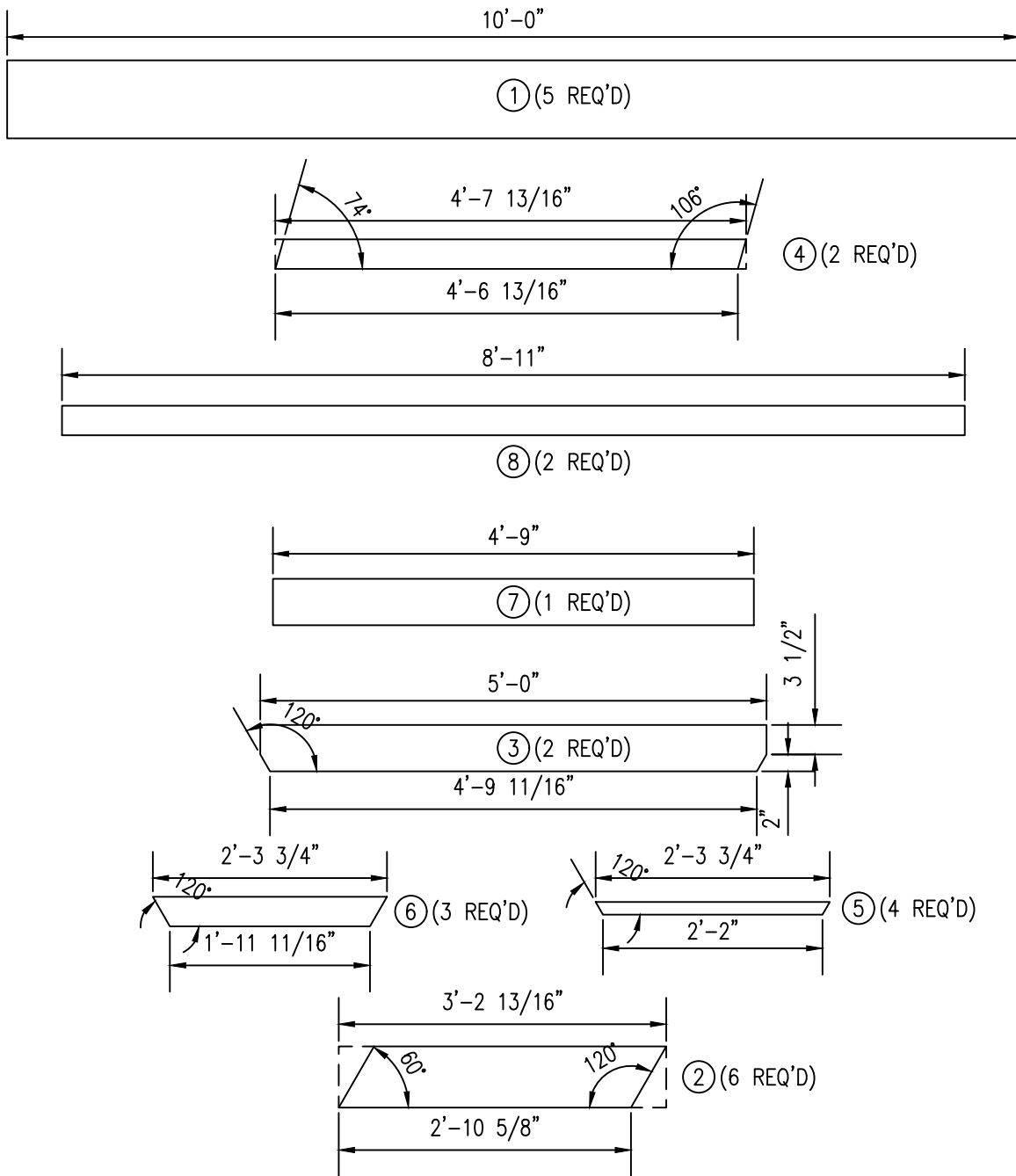
SIZE 8.5 x 11	DATE 2016.06.29	DRAWN TMS	CLIENT jayscustomcreations.com
JOB No. PT-10	SCALE 1:20	PROJ. ENG'R N/A	DRAWING No. T3D-PT-10
			REV 0
BILL OF MATERIALS			
ITEM	QTY	DESCRIPTION	MATERIAL
1	5	2x10 @ 10'-0" LONG	SPF #1
2	6	2x8 @ 3'-2 13/16" LONG	PRESSURE TREATED
3	2	2x6 @ 5'-0" LONG	SPF #2
4	2	2x4 @ 4'-7 13/16" LONG	SPF #2
5	4	2x4 @ 2'-3 3/4" LONG	SPF #2
6	3	2x4 @ 2'-3 3/4" LONG	SPF #2
7	1	2x6 @ 4'-9" LONG	SPF #2
8	2	2x4 @ 8'-11" LONG	SPF #2

T_MS DRAFT LTD.
STRIVING TO ACHIEVE PERFECTION

CALGARY tstorzuk@gmail.com (403)719-1856 ALBERTA

JAY'S CUSTOM CREATIONS
10' PICNIC TABLE
SW TOP 3D VIEW

THIS DRAWING IS THE PROPERTY OF TMS DRAFT LTD. IN CONSIDERATION OF THE USE OF THIS DRAWING, USER AGREES THAT IT SHALL BE TREATED AS CONFIDENTIAL MATERIAL, IT SHALL BE RETURNED UPON REQUEST, AND THAT THE CONTENTS THEREOF SHALL NOT BE DISCLOSED, REPRODUCED, COPIED OR OTHERWISE DISPOSED OF DIRECTLY OR INDIRECTLY, NOR SHALL IT BE USED FOR ANY PURPOSE OTHER THAN THAT FOR WHICH IT IS SPECIFICALLY FURNISHED, EXCEPT BY WRITTEN PERMISSION OF TMS DRAFT LTD.



SIZE 8.5 x 11	DATE 2016.06.29	DRAWN TMS	CLIENT jayscustomcreations.com
JOB No. PT-10	SCALE 1:20	PROJ. ENG'R N/A	DRAWING No. CS-PT-10
BILL OF MATERIALS			
ITEM	QTY	DESCRIPTION	MATERIAL
1	5	2x10 @ 10'-0" LONG	SPF #1
2	6	2x8 @ 3'-2 13/16" LONG	PRESSURE TREATED
3	2	2x6 @ 5'-0" LONG	SPF #2
4	2	2x4 @ 4'-7 13/16" LONG	SPF #2
5	4	2x4 @ 2'-3 3/4" LONG	SPF #2
6	3	2x4 @ 2'-3 3/4" LONG	SPF #2
7	1	2x6 @ 4'-9" LONG	SPF #2
8	2	2x4 @ 8'-11" LONG	SPF #2

T_MS DRAFT LTD.
STRIVING TO ACHIEVE PERFECTION
 CALGARY tstorzuk@gmail.com (403)719-1856 ALBERTA

JAY'S CUSTOM CREATIONS
 10' PICNIC TABLE
 CUT SHEET

THIS DRAWING IS THE PROPERTY OF TMS DRAFT LTD. IN CONSIDERATION OF THE USE OF THIS DRAWING, USER AGREES THAT IT SHALL BE TREATED AS CONFIDENTIAL MATERIAL, IT SHALL BE RETURNED UPON REQUEST, AND THAT THE CONTENTS THEREOF SHALL NOT BE DISCLOSED, REPRODUCED, COPIED OR OTHERWISE DISPOSED OF DIRECTLY OR INDIRECTLY, NOR SHALL IT BE USED FOR ANY PURPOSE OTHER THAN THAT FOR WHICH IT IS SPECIFICALLY FURNISHED, EXCEPT BY WRITTEN PERMISSION OF TMS DRAFT LTD.