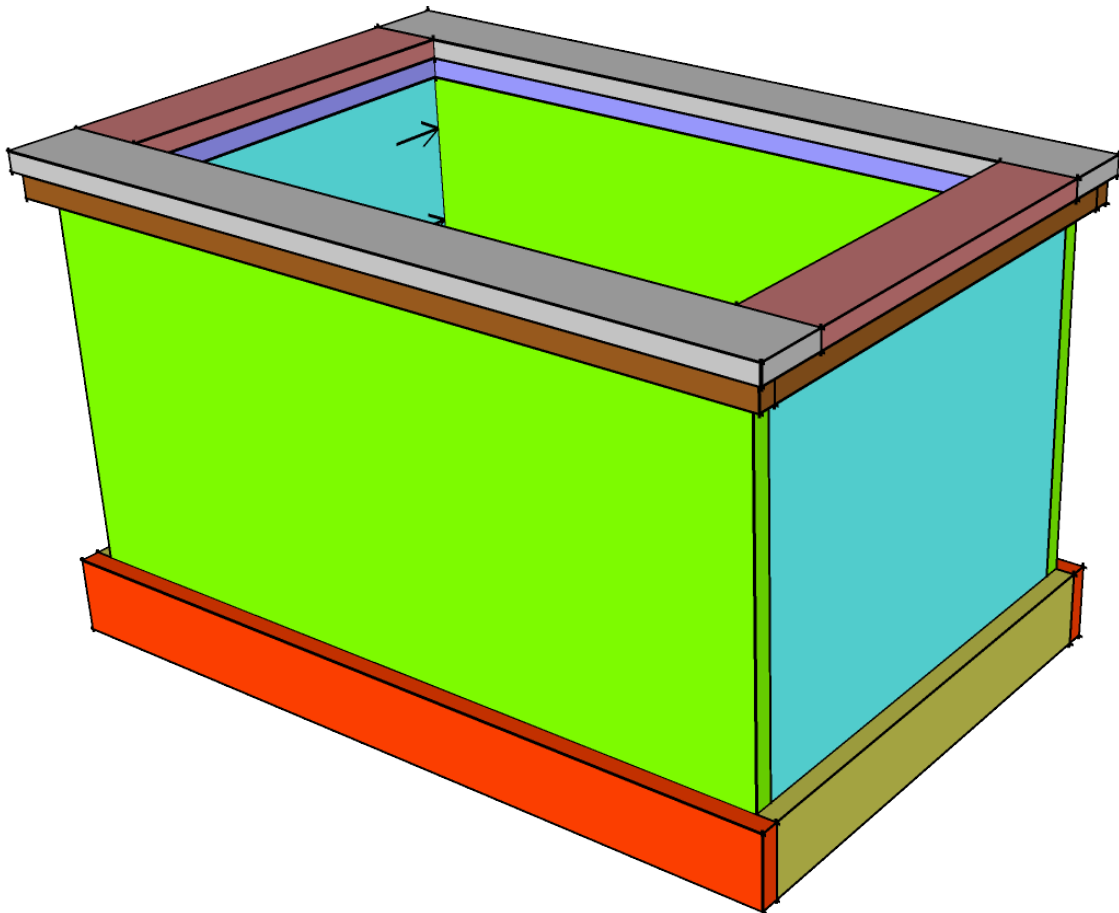




MDF Toy Box

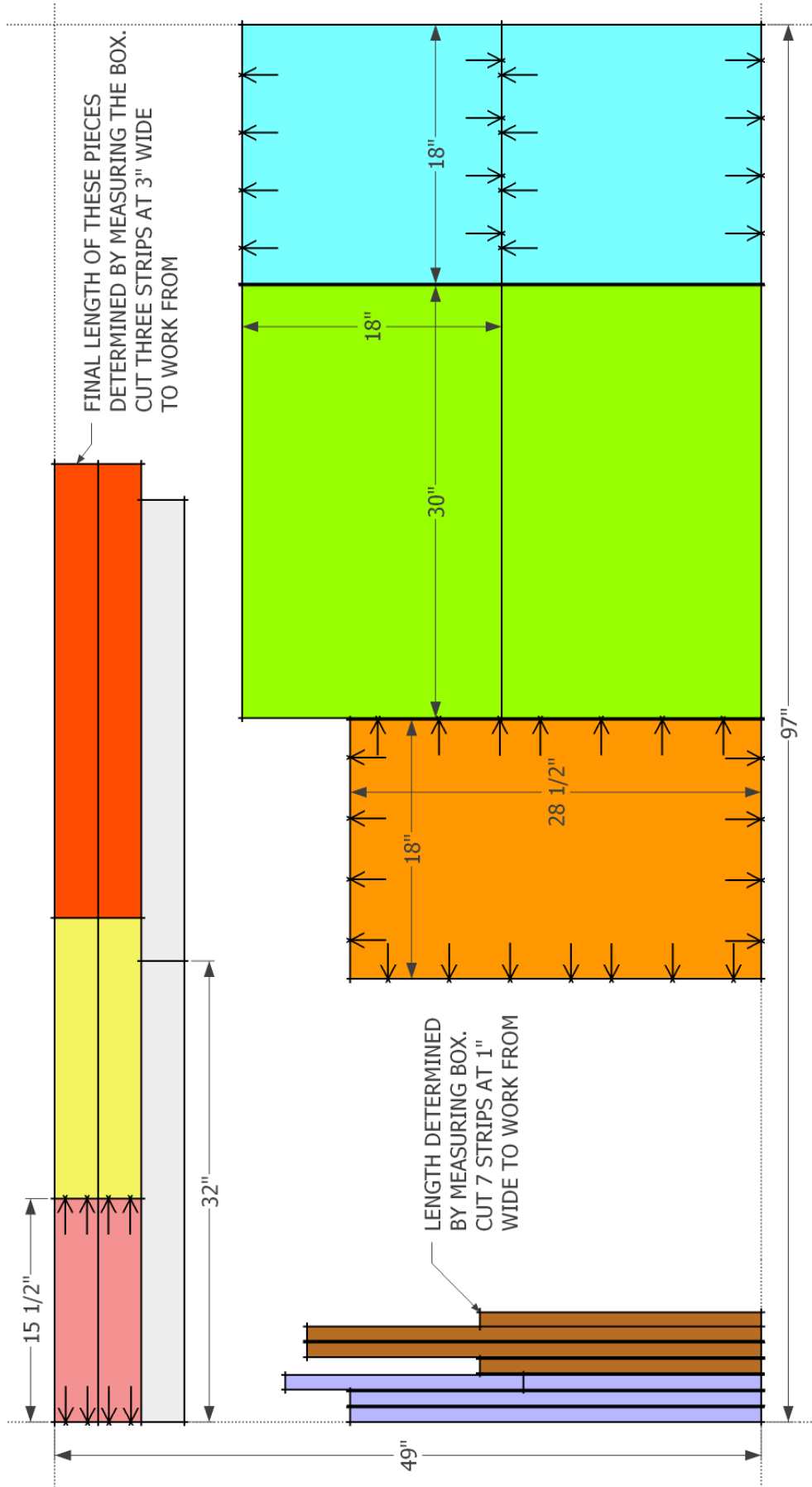
Copyright © 2014 JaysCustomCreations.com



Shopping List

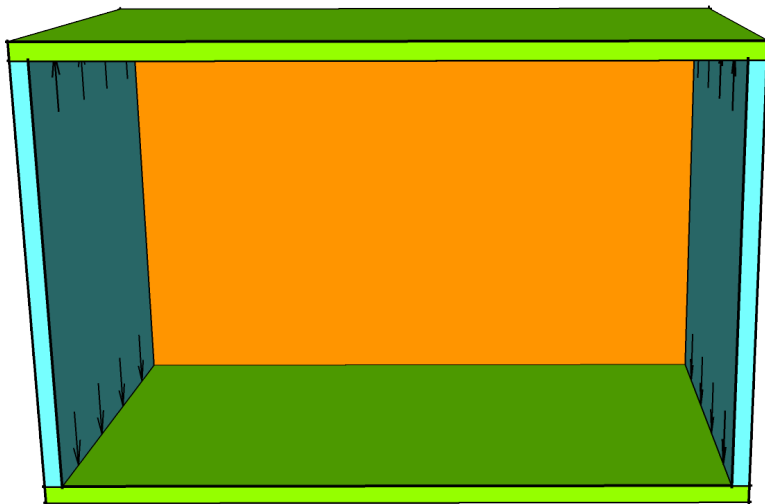
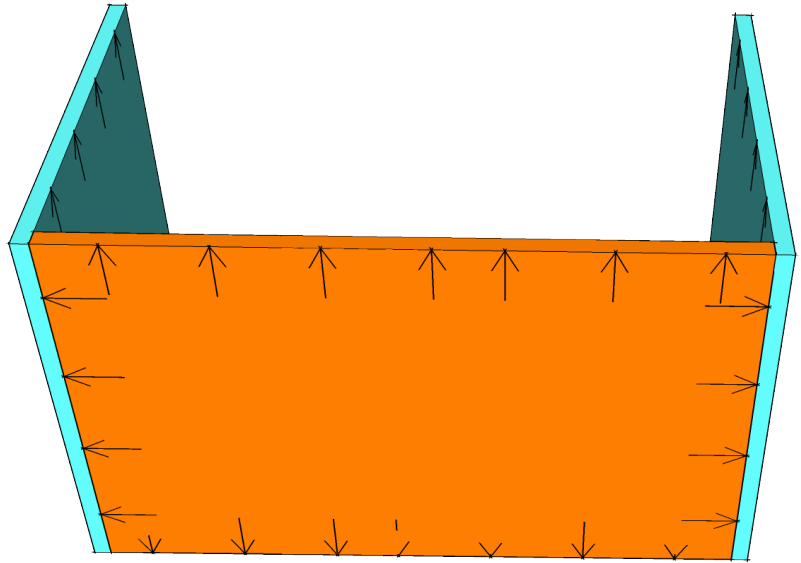
Item	Quantity	Description
MDF	1 sheet	Heavy, brown
1-1/4" pocket hole screws	38	Coarse thread, shiny
Wood glue		Sticky
Brad nails	Handful	For attaching all of the trim, nail guns are more fun
Paint		I'll let you decide
Batman decal	1	Only for the awesome black toy boxes

Cut pocket holes as indicated by the arrows.



1

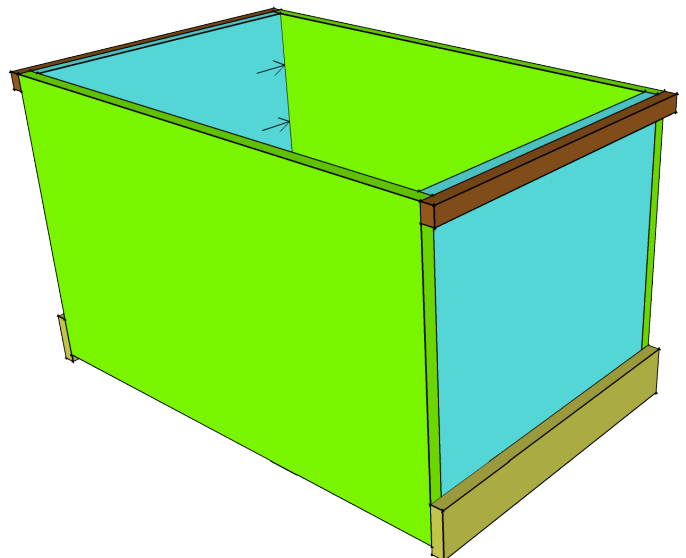
Attach the bottom to the sides with 1-1/4" pocket hole screws and glue.

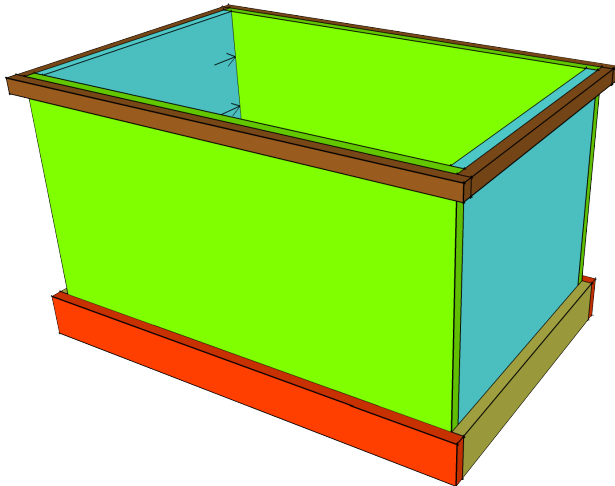
**2**

Attach both sides with 1-1/4" pocket hole screws and glue.

3

Measure and cut the appropriate width strips to length for the trim. Use glue and brad nails to attach the short side trim on both top and bottom. The top is flush with the rim of the box and the bottom trim overhangs the bottom by 1/2"



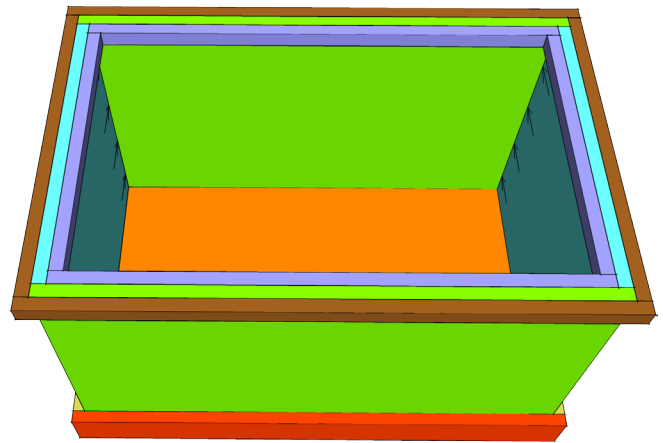


4

Measure, cut, and attach the long trim pieces on top and bottom the same way as before.

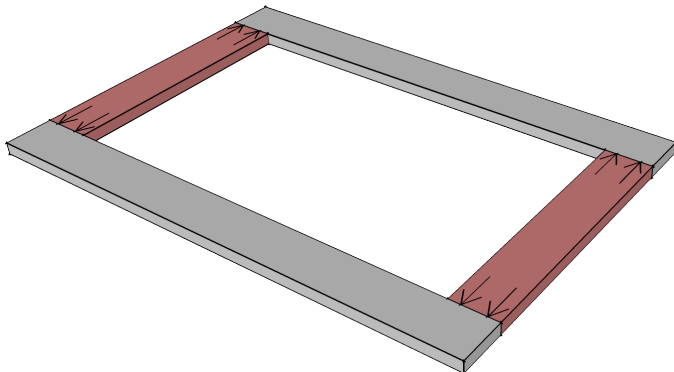
5

Cut and attach the inner support strips to the inside lined up with the top of the box rim.



6

Assemble the top frame with glue and 1-1/4" pocket hole screws.



7

Use glue and brad nails to attach the top frame. Use spackeling to fill the nail holes and pocket holes. Sand everything smooth and paint as you wish.

