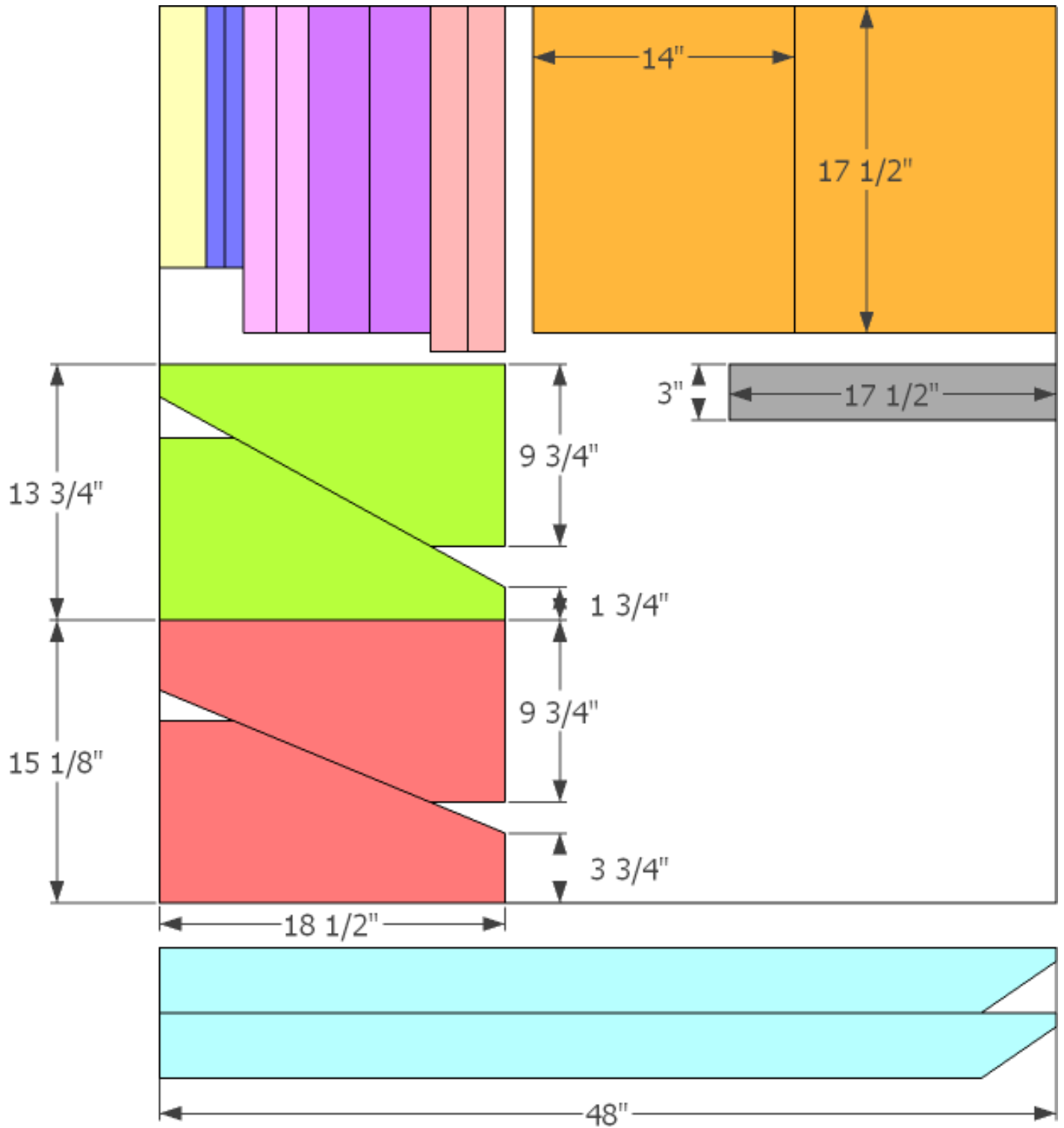


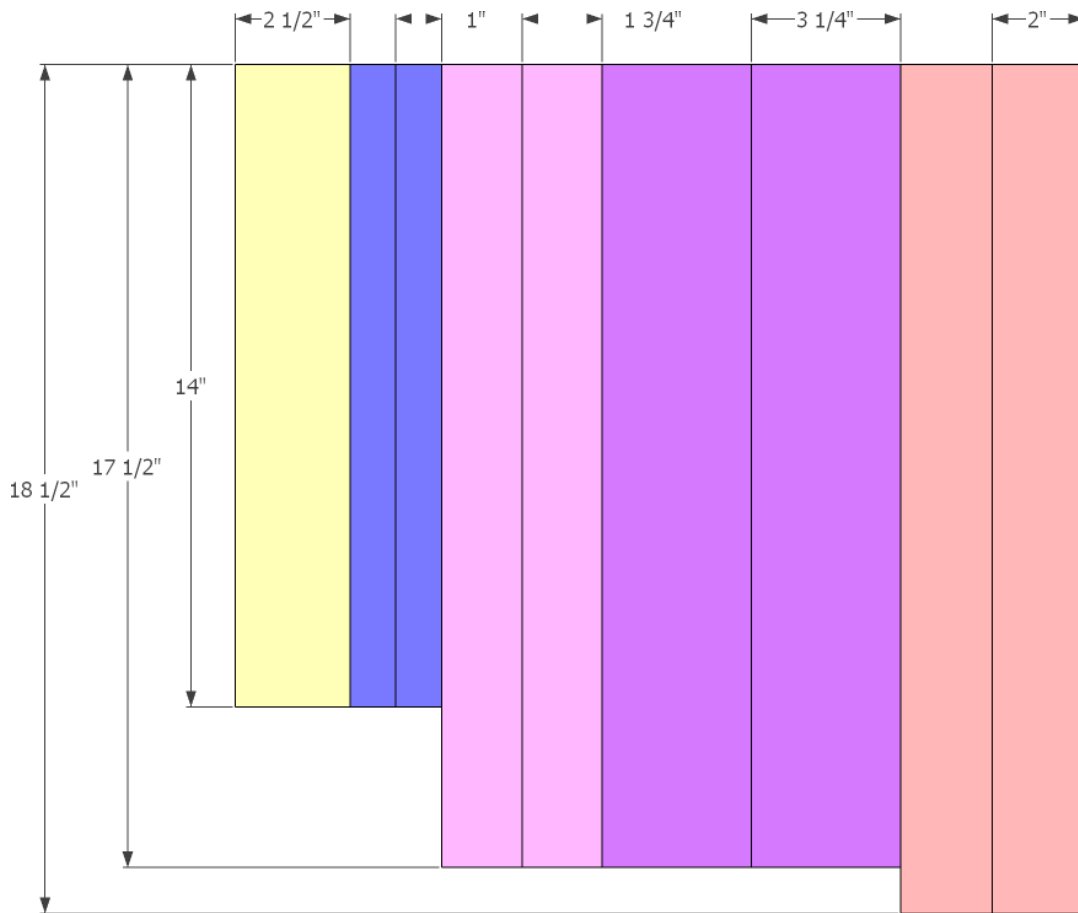
WELDER/AIR COMPRESSOR CART

Copyright © 2014 JaysCustomCreations.com

Shopping List

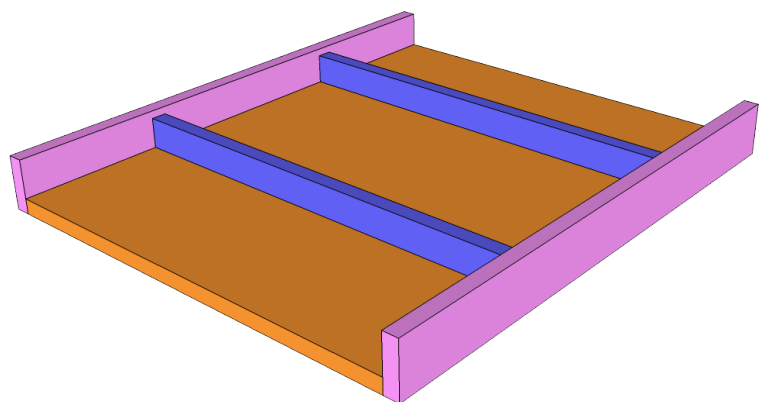
Item	Quantity	Description
48" x 48" x 1/2" plywood	1	The more ply's the better!
2 x 4 x 8'	1	
Casters	4	2 swivel, 2 non swivel
1-1/4" wood screws	handful	
Brad nails	handful	
wood glue		





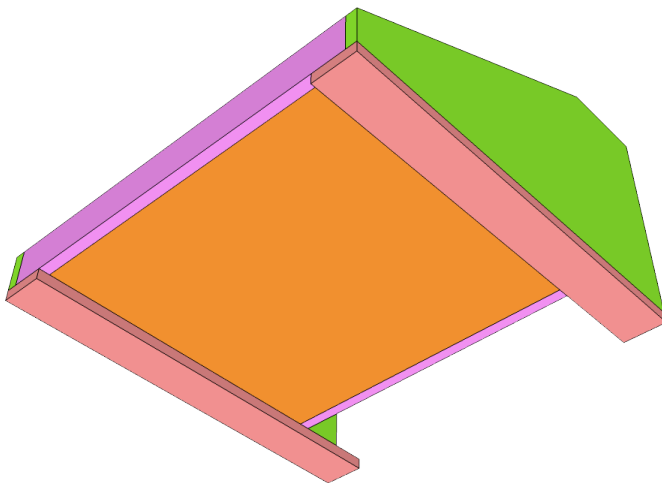
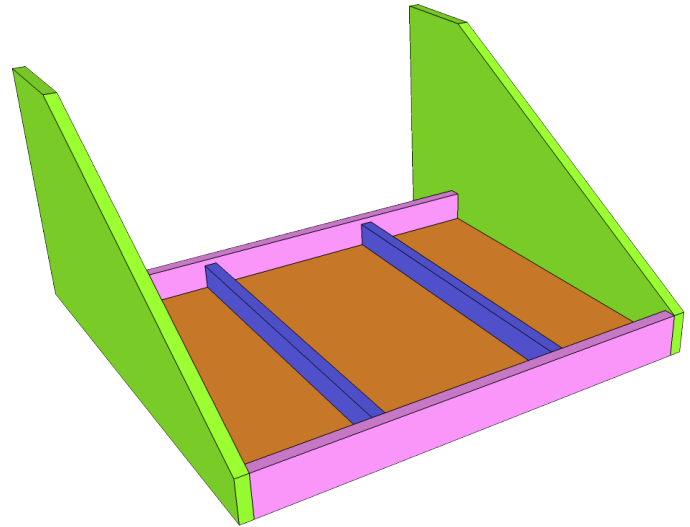
1

Use glue and brad nails to start assembling the shelves. Space the dividers as needed. This shelf and the surrounding pieces are sized to fit a small welder. Feel free to modify the plans as needed to fit your tools.



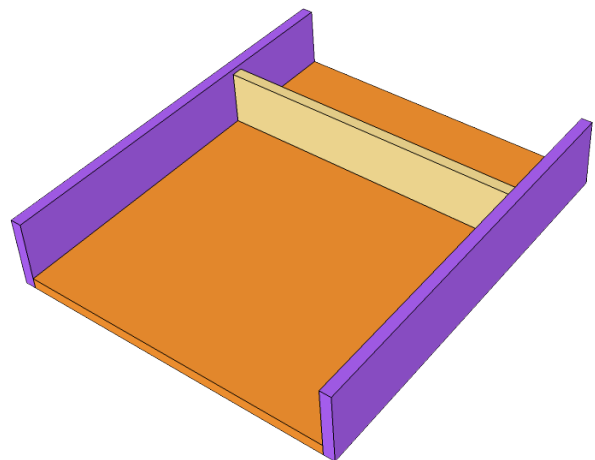
2

Add the side pieces to the shelf assembly with glue and brad nails.



3

Using glue and brad nails attach the caster support strips.

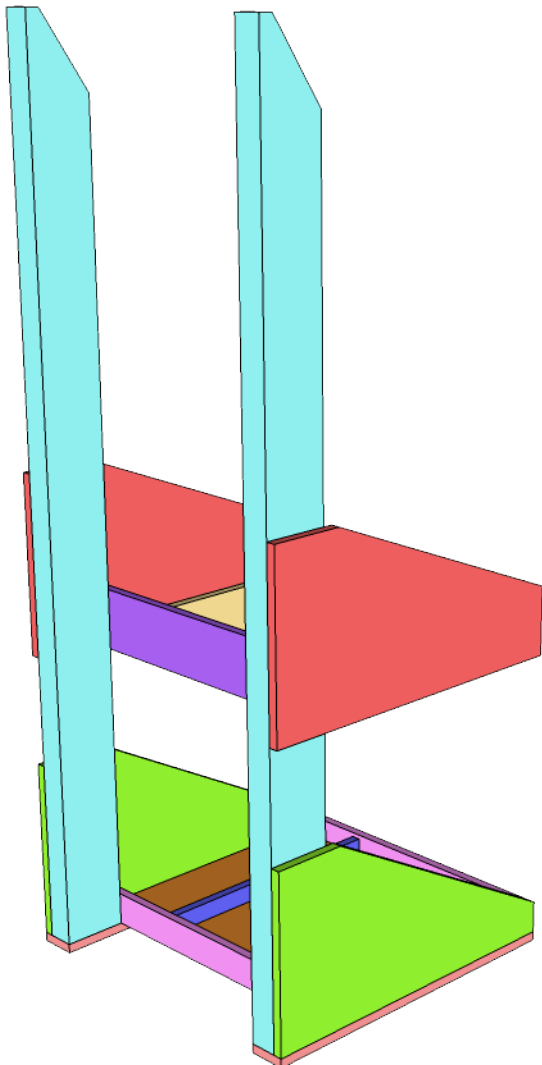
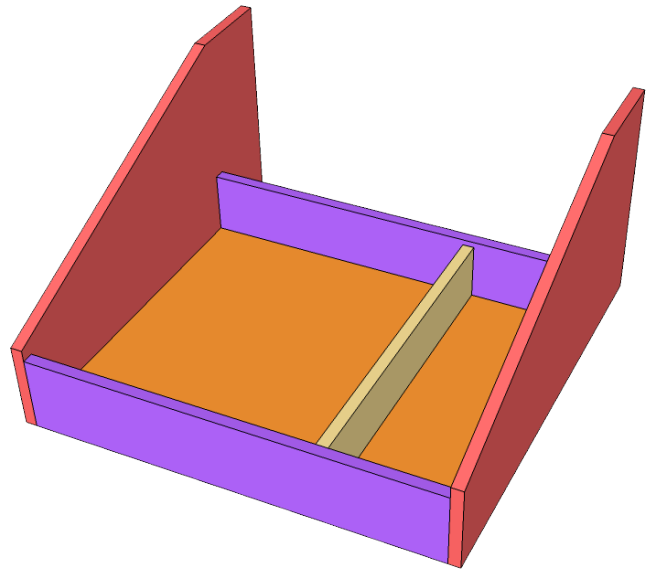


4

Start assembling the other shelf in the same way with wood glue and brad nails. Space the divider as needed.

5

Add the sides to the second shelf.

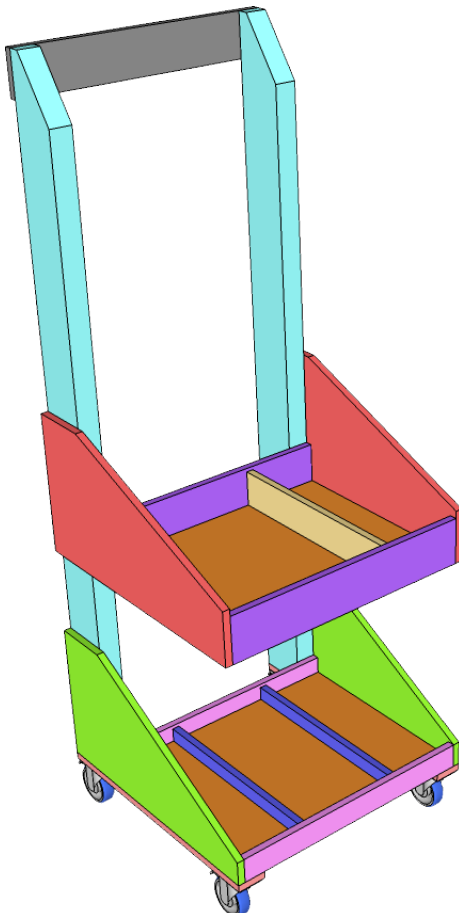
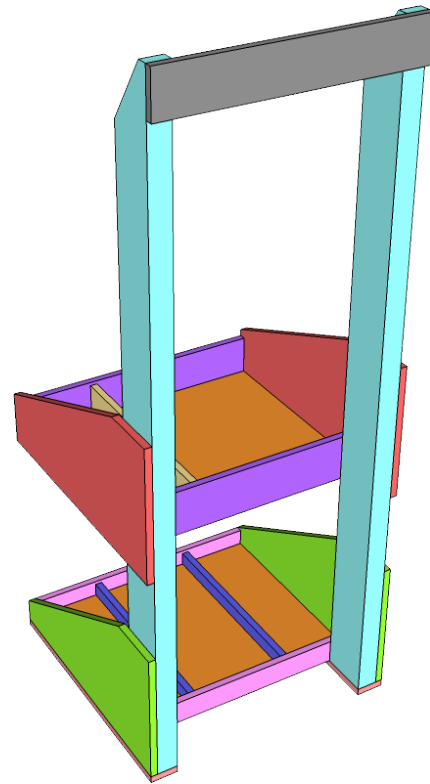


6

Cut the 2 x 4 x 8 in half. Attach them to the insides of the sides of the shelves starting with the lower shelf. The bottom of the 2 x 4 should rest on top of the caster support strips. Attach the top shelf at whatever height you choose. Use glue and brad nails to hold everything together while you predrill and add screws.

7

Add the top handle with glue and screws. You could substitute this for a dowel if you prefer.



8

Secure the casters to the bottom and you're done. This design is big enough to fit both my portable compressor as well as my light duty welder. If you decide to make one of these be sure to stop by my website and let me know!